

EN

ORIGINAL INSTRUCTIONS
LED CONSTRUCTION SITE
SPOTLIGHT



Table of contents

Notes regarding the instructions 2

Safety 2

Information about the device..... 4

Transport and storage..... 5

Start-up..... 6

Operation 7

Available accessories..... 7

Errors and faults 8

Maintenance 8

Disposal 8

Notes regarding the instructions

Symbols



Warning of electrical voltage

This symbol indicates dangers to the life and health of persons due to electrical voltage.



Warning of hot surface

This symbol indicates dangers to the life and health of persons due to hot surface.



Warning

This signal word indicates a hazard with an average risk level which, if not avoided, can result in serious injury or death.



Caution

This signal word indicates a hazard with a low risk level which, if not avoided, can result in minor or moderate injury.

Note

This signal word indicates important information (e.g. material damage), but does not indicate hazards.



Info

Information marked with this symbol helps you to carry out your tasks quickly and safely.



Follow the manual

Information marked with this symbol indicates that the instructions must be observed.



Resistant service lights

Information marked with this symbol indicates that the product is shock-proof and durable.

You can download the current version of the instructions and the EU declaration of conformity via the following link:



PWLS 10-150



<https://hub.trotec.com/?id=44778>

Safety

Read this manual carefully before starting or using the device. Always store the manual in the immediate vicinity of the device or its site of use.



Warning

Read all safety warnings and all instructions.

Failure to follow the warnings and instructions may result in electric shock, fire and/or serious injury.

Save all warnings and instructions for future reference.

This appliance can be used by children aged from 8 years and above and persons with reduced physical, sensory or mental capabilities or lack of experience and knowledge if they have been given supervision or instruction concerning use of the appliance in a safe way and understand the hazards involved.

Children shall not play with the appliance. Cleaning and user maintenance shall not be made by children without supervision.

- Do not open the device housing. There is danger of a short circuit.
- Keep device away from open fire and hot surfaces and do not store or operate it in their vicinity.
- Do not pull the power cable directly out of the socket; always hold on to the mains plug itself.
- Do not leave the device running unattended.
- Insert the mains plug into a properly fused mains socket.
- Allow the device to cool down before transport and/or maintenance work.
- Do not use the device in aggressive atmosphere.
- Do not use the device in potentially explosive rooms or areas and do not install it there.
- Do not use the device with wet or damp hands.

- Do not use this device near bathtubs, shower trays, swimming pools or other water containers. Risk of electric shock!
- Do not expose the device to directly squirting water.
- This appliance is not a toy. Keep away from children and animals. Do not leave the device unattended during operation.
- Check the device for potential damage before each application. Do not use any defective devices or device parts.
- Let the device dry out after a wet clean. Do not operate it when wet.
- Do not under any circumstances use the device if you detect damages on the mains plug or power cable. If the power cable is damaged, it must be replaced by the manufacturer, its service agent or similarly qualified persons in order to avoid a hazard. Defective power cables pose a serious health risk!
- Do not sit on the device.
- Switch the device off and disconnect the power cable from the mains socket when the device is not in use.
- Before carrying out maintenance, care or repair work on the device, remove the mains plug from the mains socket. Hold onto the mains plug while doing so.
- The mains connection must correspond to the specifications in the Technical annex.
- Check accessories and connection parts for possible damage prior to every use of the device. Do not use any defective devices or device parts.
- Never use the device if electric cables or the power connection are damaged!
- Observe the storage and operating conditions as given in the Technical data chapter.
- Do not expose the device to heat or direct sunlight.
- Do not look directly into the LEDs! The optical radiation can be harmful for your eyes.
- The LEDs and other parts of the device can become very hot. Do not touch any hot surfaces of the device.

Intended use

Use the device according to the technical data and only for a temporary illumination of indoor and outdoor areas, e.g. for construction sites.

Any use other than the intended use is regarded as misuse.

Reasonably foreseeable misuse

The device is not intended for permanent illumination of indoor and outdoor areas.

Personnel qualifications

People who use this device must:

- have read and understood the instructions, especially the Safety chapter.

Residual risks



Warning of electrical voltage

Electric shock due to insufficient insulation!
Check the device for damages and proper functioning before each use.

If you detect damages, do not use the device any longer.

Do not use the device when either the device or your hands are damp or wet!



Warning of electrical voltage

Work on the electrical components must only be carried out by an authorised specialist company!



Warning of electrical voltage

Before any work on the device, remove the mains plug from the mains socket!

Do not touch the mains plug with wet or damp hands. Hold onto the mains plug while pulling the power cable out of the mains socket.



Warning of electrical voltage

There is a risk of a short-circuit due to liquids penetrating the housing!

Do not immerse the device and the accessories in water. Make sure that no water or other liquids can enter the housing.



Warning of hot surface

Some parts of this product can become very hot and cause burns. Particular attention has to be given where children and vulnerable people are present!



Warning

Dangers can occur at the device when it is used by untrained people in an unprofessional or improper way! Observe the personnel qualifications!



Warning

The device is not a toy and does not belong in the hands of children.



Warning

Risk of suffocation!
Do not leave the packaging lying around. Children may use it as a dangerous toy.



Caution

Keep a sufficient distance from heat sources.



Warning

Do not look directly into the LEDs! The optical radiation can be harmful for your eyes.

Note

If you store or transport the device improperly, the device may be damaged.

Note the information regarding transport and storage of the device.

Overheating protection

The device is provided with an overheating protection, which is activated by overheating of the device.

When the overheating protection is tripped, the brightness decreases. The temperature is reduced but the LEDs continue to be illuminated.

Information about the device

Device description

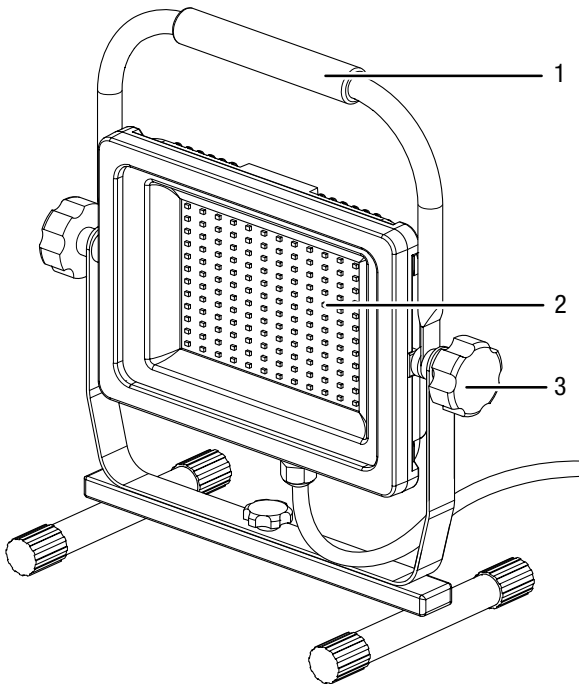
The device is equipped with bright surface LEDs and an overheating protection. The device has an on/off switch.

The LED light and the transport handle can be adjusted by up to 360°.

For operation, the device's power cable is connected to a mains socket.

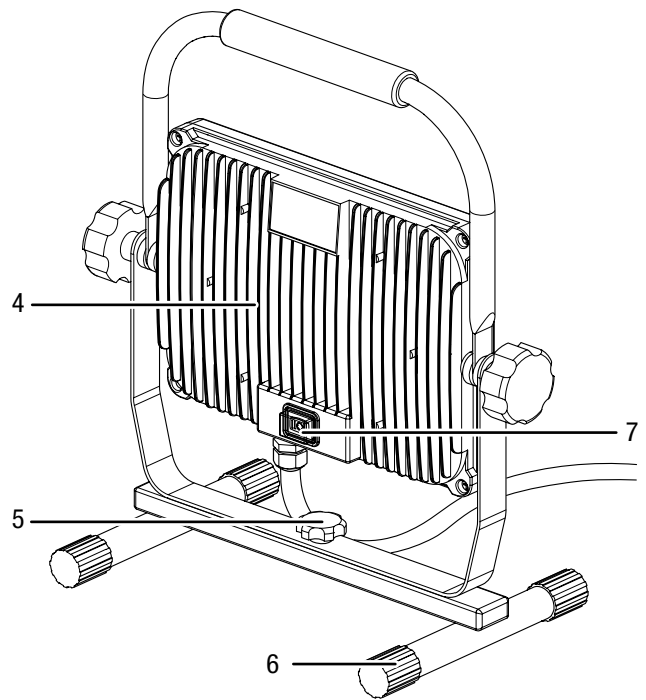
Device depiction

Front view



No.	Designation
1	Transport handle
2	Surface LED
3	Locking screw

Rear view



No.	Designation
4	Finned housing
5	Central locking screw
6	Foot
7	On/off switch Position I = low brightness level Position II = high brightness level

Scope of delivery

- 1 x LED construction site spotlight
- 1 x Manual

Technical data

PWLS 10-150

Parameter		Value
Nominal voltage		220-240 V
Surface LED	Power input	150 W
	Luminous flux	13500 lm
	Colour temperature	5000 K
LED lamp beads		240 pcs.
Dimensions (length x width x height)		55 x 375 x 375 mm
Weight (packaging excluded)		2 kg
Plug type		CEE 7/4
Power cable length		1.4 m
Permitted ambient temperature (when stored)		-20 °C – +50 °C
Operating temperature		-25 °C – +50 °C
Permitted ambient conditions (RH)		10 – 90 %
Type of protection		IP65
Protection class		I

Transport and storage



Warning of electrical voltage

Do not touch the device's power cable or power cable connection with wet or damp hands.

Note

If you store or transport the device improperly, the device may be damaged.

Note the information regarding transport and storage of the device.

Transport

To make the device easier to transport, it is fitted with a carry handle.

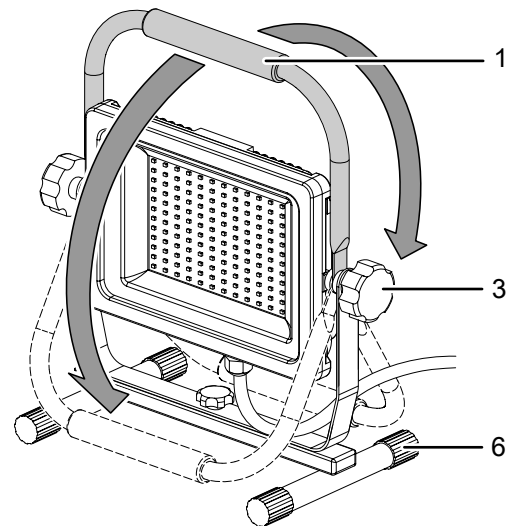
Before transporting the device, observe the following:

- Switch the device off.
- Allow the device to cool down.
- Hold onto the mains plug while pulling the power cable out of the mains socket.

Storage

Before storing the device, proceed as follows:

- Switch the device off.
- Allow the device to cool down.
- Hold onto the mains plug while pulling the power cable out of the mains socket.
- Clean the device as described in the Maintenance chapter.
- Loosen the two locking screws (3) and pull the transport handle (1) down onto the foot (6) to fold up the device.



When the device is not being used, observe the following storage conditions:

- dry and protected from frost and heat
- ambient temperature below 50 °C
- protected from dust and direct sunlight

Start-up

Unpacking the device

- Take the device out of the packaging.



Warning of electrical voltage

Electric shock due to insufficient insulation!
Check the device for damages and proper functioning before each use.

If you detect damages, do not use the device any longer.

Do not use the device when either the device or your hands are damp or wet!

- Check the contents for completeness and look for damages.



Warning

Risk of suffocation!

Do not leave the packaging lying around. Children may use it as a dangerous toy.

- Dispose of the packaging material according to the national regulations.

Putting the device into operation



Warning of hot surface

Some parts of this product can become very hot and cause burns. Particular attention has to be given where children and vulnerable people are present!



Warning of electrical voltage

Do not touch the device's power cable or power cable connection with wet or damp hands.



Warning of electrical voltage

Do not touch the device's power cable or power cable connection with wet or damp hands.



Warning

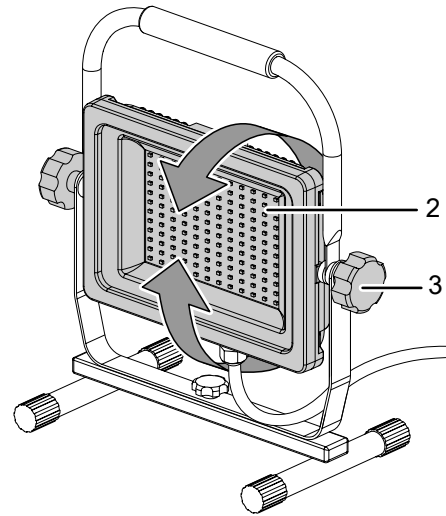
Do not look directly into the LEDs! The optical radiation can be harmful for your eyes.

Adjusting the lighting position

Please proceed as follows to adjust the lighting position:

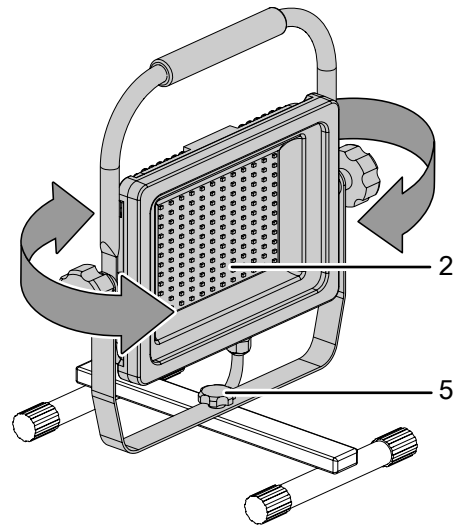
1. If necessary, switch the device off by setting the on/off switch (7) to position **0**.
2. Allow the device to cool down and remove the mains plug from the mains socket.
3. Loosen the locking screw (3) on both sides of the device by turning in counter-clockwise direction.

4. Rotate the surface LED (2) to the desired position.



5. Tighten the locking screw (3) on both sides of the device.
6. Loosen the surface LED (2) together with the outer frame by turning the central locking screw (5) in counter-clockwise direction.

⇒ You can now rotate the surface LED (2) together with the frame in both directions.



Info

The transport handle of the LED construction site spotlight and the surface LED can be rotated by up to 360°.

7. Lock the new position of the surface LED (2) by turning the central locking screw (5) in clockwise direction.

Operation

Tips and notes on handling the LED construction site spotlight

General information:

- Avoid looking directly into the light source.
- Use the devices only for a temporary illumination of indoor and outdoor areas, e.g. for construction sites.
- The LED construction site spotlights are particularly suited for illuminating larger areas.



Warning of hot surface

Some parts of this product can become very hot and cause burns. Particular attention has to be given where children and vulnerable people are present!



Warning

Do not look directly into the LEDs! The optical radiation can be harmful for your eyes.



Warning of electrical voltage

Do not touch the device's power cable or power cable connection with wet or damp hands.

Note

Make sure that the power cable is guided along the back of the device. Never guide the power cable along the front of the device!

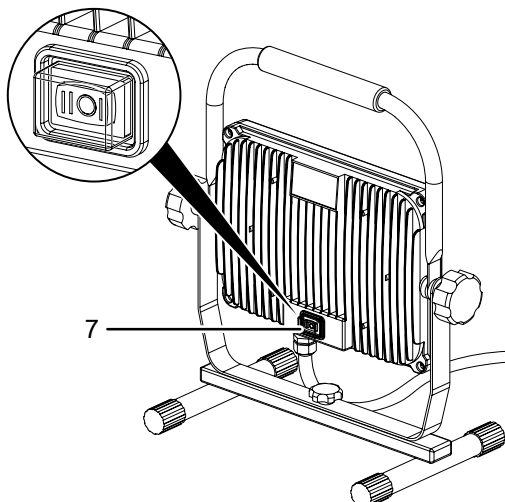
Note

Do not connect the device at ambient temperatures below $-25\text{ }^{\circ}\text{C}$ or above $55\text{ }^{\circ}\text{C}$, otherwise it will be damaged!

Switching the device on

Please proceed as follows to switch the device on:

1. Check whether the power cable is plugged in correctly.
2. Set the on/off switch (7) to position **I** for the low brightness level or to position **II** for the high brightness level.
 - ⇒ The device switches on and the surface LED (2) lights up.



Shutdown

- Switch the device off by setting the on/off switch (7) to position **0**.
- Hold onto the mains plug while pulling the power cable out of the mains socket.
- Allow the device to cool down.
- Clean the device according to the Maintenance chapter.
- Store the device according to the Storage chapter.

Available accessories



Warning

Only use accessories and additional equipment specified in the instructions. Using insertion tools or accessories other than those specified in the instructions may cause a risk of injury.

Designation	Article number
Cable drum	7.333.000.370
High-quality extension cable 15 m	7.333.000.372
High-quality extension cable 20 m	7.333.000.376
High-quality extension cable 25 m	7.333.000.369

Errors and faults

The device has been checked for proper functioning several times during production. If malfunctions occur nonetheless, check the device according to the following list.

Troubleshooting tasks which require the housing to be opened must only be carried out by an authorized specialist electrical company or by Trotec.

The device is not lit:

- Check whether the power cable is connected correctly.
- Check the power cable and mains plug for damage. If you notice damages, do not try to take the device back into operation.

If the supply cord is damaged, it must be replaced by the manufacturer, its service agent or similarly qualified persons in order to avoid a hazard.

- The LEDs are defective. They cannot be replaced. Contact the Trotec customer service.

The overheating protection has tripped:

1. Remove the plug of the power cable from the mains socket and allow the device to cool down.
2. Investigate the cause of overheating.

Note

Wait for at least 3 minutes after maintenance and repair work. Only then switch the device back on.

The device still does not operate correctly after these checks:

Please contact the customer service. If necessary, bring the device to an authorised specialist electrical company or to Trotec for repair.

Maintenance

Notes on maintenance

The device does not require maintenance.

Cleaning

The device should be cleaned before and after each use.



Warning of electrical voltage

There is a risk of a short-circuit due to liquids penetrating the housing!

Do not immerse the device and the accessories in water. Make sure that no water or other liquids can enter the housing.

- Clean the device with a soft, damp and lint-free cloth. Make sure that no moisture enters the housing. Protect electrical components from moisture. Do not use any aggressive cleaning agents such as cleaning sprays, solvents, alcohol-based or abrasive cleaners to dampen the cloth.
- Dry the device with a soft, lint-free cloth.

Disposal

Always dispose of packing materials in an environmentally friendly manner and in accordance with the applicable local disposal regulations.



The icon with the crossed-out waste bin on waste electrical or electronic equipment is taken from Directive 2012/19/EU. It states that this device must not be disposed of with the household waste at the end of its life. You will find collection points for free return of waste electrical and electronic equipment in your vicinity. The addresses can be obtained from your municipality or local administration. You can also find out about other return options that apply for many EU countries on the website <https://hub.trotec.com/?id=45090>. Otherwise, please contact an official recycling centre for electronic and electrical equipment authorised for your country.

The separate collection of waste electrical and electronic equipment aims to enable the re-use, recycling and other forms of recovery of waste equipment as well as to prevent negative effects for the environment and human health caused by the disposal of hazardous substances potentially contained in the equipment.

Only for United Kingdom

According to Waste Electrical and Electronic Equipment Regulations 2013 (SI 2013/3113) (as amended) devices that are no longer usable must be collected separately and disposed of in an environmentally friendly manner.

Trotec GmbH

Grebener Str. 7
D-52525 Heinsberg

☎ +49 2452 962-400

☎ +49 2452 962-200

✉ info@trotec.com

www.trotec.com