

EN

OPERATING MANUAL
LUXMETER



Table of contents

Notes regarding the operating manual..... 2

Safety 2

Information about the device..... 3

Transport and storage..... 4

Operation 5


Errors and faults..... 6


Maintenance and repair 6


Disposal 6

Notes regarding the operating manual


Symbols


 **Warning of electrical voltage**
 This symbol indicates dangers to the life and health of persons due to electrical voltage.

 **Warning**
 This signal word indicates a hazard with an average risk level which, if not avoided, can result in serious injury or death.

 **Caution**
 This signal word indicates a hazard with a low risk level which, if not avoided, can result in minor or moderate injury.

Note
 This signal word indicates important information (e.g. material damage), but does not indicate hazards.

 **Info**
 Information marked with this symbol helps you to carry out your tasks quickly and safely.

 **Follow the manual**
 Information marked with this symbol indicates that the operating manual must be observed.

You can download the current version of the operating manual and the EU declaration of conformity via the following link:




BF06



<https://hub.trotec.com/?id=43619>

Safety

Read this manual carefully before starting or using the device. Always store the manual in the immediate vicinity of the device or its site of use.

-  **Warning**
Read all safety warnings and all instructions.
 Failure to follow the warnings and instructions may result in electric shock, fire and/or serious injury.
Save all warnings and instructions for future reference.
- Do not use the device in potentially explosive rooms or areas and do not install it there.
 - Do not use the device in aggressive atmosphere.
 - Do not immerse the device in water. Do not allow liquids to penetrate into the device.
 - The device may only be used in dry surroundings and must not be used in the rain or at a relative humidity exceeding the operating conditions.
 - Protect the device from permanent direct sunlight.
 - Do not expose the device to strong vibrations.
 - Do not remove any safety signs, stickers or labels from the device. Keep all safety signs, stickers and labels in legible condition.
 - Do not open the device.
 - Observe the storage and operating conditions (see Technical data).

Intended use

Only use the device for measurements of the luminous intensity within the measuring range specified in the technical data.

To use the device for its intended use, only use accessories and spare parts which have been approved by Trotec.

Foreseeable misuse

Do not use the device in potentially explosive atmospheres, for measurements in liquids and at live parts.

Any unauthorised changes, modifications or alterations to the device are forbidden.

Personnel qualifications

People who use this device must:

- have read and understood the operating manual, especially the Safety chapter.

Residual risks



Warning of electrical voltage

There is a risk of a short-circuit due to liquids penetrating the housing!

Do not immerse the device and the accessories in water. Make sure that no water or other liquids can enter the housing.



Warning of electrical voltage

Work on the electrical components must only be carried out by an authorised specialist company!



Warning

Risk of suffocation!

Do not leave the packaging lying around. Children may use it as a dangerous toy.



Warning

The device is not a toy and does not belong in the hands of children.



Warning

Dangers can occur at the device when it is used by untrained people in an unprofessional or improper way! Observe the personnel qualifications!



Caution

Keep a sufficient distance from heat sources.

Note

To prevent damages to the device, do not expose it to extreme temperatures, extreme humidity or moisture.

Note

Do not use abrasive cleaners or solvents to clean the device.

Information about the device

Device description

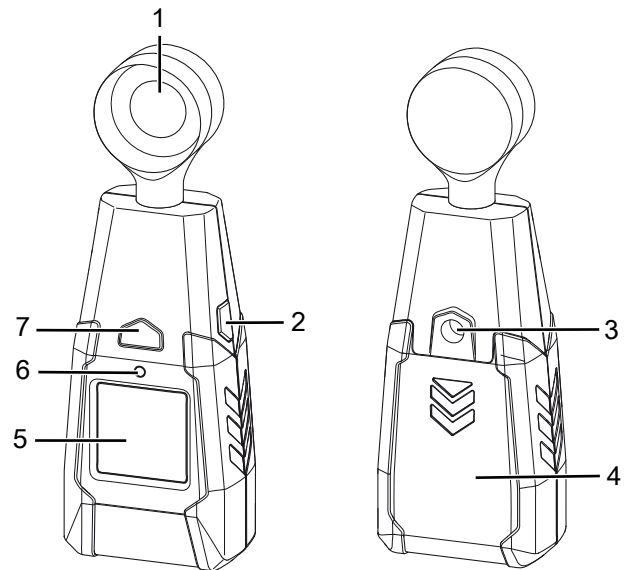
By use of the luxmeter the luminous intensity can be determined in lux or fc (foot candle).

Further available for the assessment of the measurements is a MAX function (maximum value).

The display illumination automatically adjusts to the ambient light conditions.

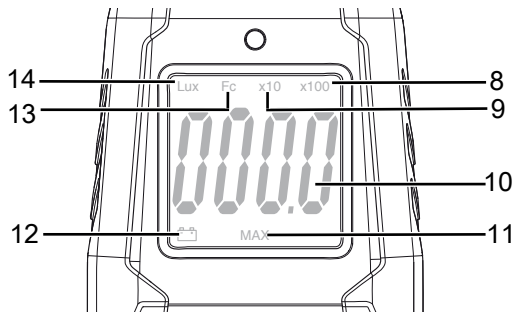
When not in use, an automatic switch-off saves the battery.

Device depiction



No.	Designation
1	Photosensor
2	MAX/LUX button
3	Tripod thread
4	Battery compartment with cover
5	Display
6	Light sensor
7	Power button

Display



No.	Designation
8	Indication of the measured value x 100
9	Indication of the measured value x 10
10	Measurement value indication
11	MAX indication
12	Battery status
13	Fc indication (foot candle)
14	Lux indication

Technical data

Parameter	Value
Model	BF06
Weight	138 g
Dimensions (length x width x height)	157 mm x 56 mm x 33 mm
Display	LCD, monochrome
Measuring range	0.1 to 20 lx or 0.1 to 20 fc up to 2000 lx or up to 200 fc up to 20 klx or up to 2000 fc up to 40 klx or up to 4000 fc
Accuracy	± 5 % ± 10 lx/fc (< 10,000 lx / 1,000 fc), ± 10 % ± 10 lx/fc (> 10,000 lx / 1,000 fc)
Measuring range resolution	0.1 lx / 0.01 fc
Measuring rate	2.5 x per second
Operating temperature	0 °C to 40 °C at max. 80 % RH (non-condensing)
Operating altitude	max. 2000 m
Storage temperature	-10 °C to 60 °C
Power supply	1 x 9 V battery (battery life approx. 5000 to 8000 measurements)
Device switch-off	after approx. 17 minutes of non-use

Scope of delivery

- 1 x Luxmeter BF06
- 1 x 9 V battery
- 1 x Bag/holster
- 1 x Quick guide

Transport and storage

Note

If you store or transport the device improperly, the device may be damaged.

Note the information regarding transport and storage of the device.

Transport

For transporting the device, use the bag included in the scope of delivery in order to protect the device from external influences.

Storage

When the device is not being used, observe the following storage conditions:

- dry and protected from frost and heat
- protected from dust and direct sunlight
- with a cover to protect it from invasive dust if necessary
- the storage temperature complies with the values specified in the Technical data
- Remove the battery from the device.

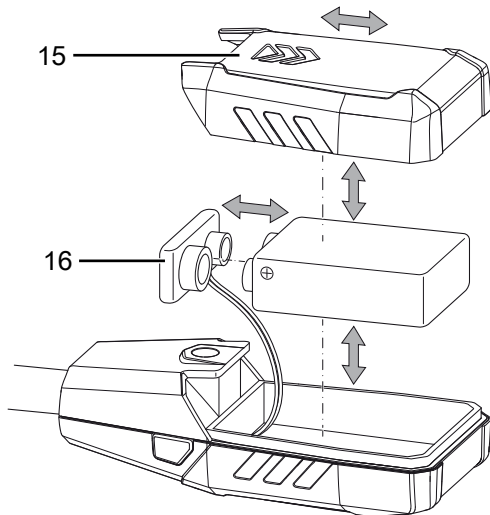
Operation

Inserting the battery

Insert the supplied battery before first use.

Note

Make sure that the surface of the device is dry and the device is switched off.



1. Remove the cover (15) from the device by sliding it in the direction of the arrow.
2. Use the battery clip (16) to connect the new battery with correct polarity.
3. Slide the cover (15) back on the device.

Switch-on and measurements

1. Press the Power button (7).
 - ⇒ The display will be switched on and the device ready for operation.
 - ⇒ In case of poor lighting conditions the display illumination switches on automatically. The display illumination is controlled by the sensor (6).



Info

Please note that the photosensor (1) should preferably be held at an angle of 90° to the light source. Any other angle could falsify the measurement result.

2. Point the device at the area to be measured.
 - ⇒ The measured value will be displayed in real time.
 - ⇒ Depending on the scale of the measured value, the factor x10 (9) or x100 (8) may also be indicated.
 - ⇒ If the measured value exceeds the measuring range (> 40 klx or 4000 fc), the display reads *OL* or *VO*.
3. If a factor (8, 9) is displayed, the displayed measured value (10) must be multiplied by the factor in order to obtain the correct value.



Info

Please note that moving from a cold area to a warm area can lead to condensation forming on the device's circuit board. This physical and unavoidable effect can falsify the measurement. In this case, the display shows either no measured values or they are incorrect. Wait a few minutes until the device has become adjusted to the changed conditions before carrying out a measurement.

MAX function

Using the MAX function you can read the highest value of the present measurement.

1. Briefly press the MAX/LUX button (2).
 - ⇒ The *MAX* indication (11) appears on the display.
 - ⇒ The display indicates the highest value measured since the device was switched on.
2. Press the MAX/LUX button (2) again.
 - ⇒ The MAX function is deactivated and the currently measured values are displayed.

Setting the unit lux or foot candle

1. Press the MAX/LUX button (2) for approx. 2 seconds.
 - ⇒ The display changes from *Lux* (14) to *Fc* (13).
2. Repeat this process to change back from *Fc* to *Lux*.

Switching the device off

1. Press the Power button (7).
 - ⇒ The device is switched off.
 - ⇒ The MAX value will be reset.



Info

The device comes equipped with an automatic switch-off function. After approx. 17 minutes of non-use the device switches off automatically.

Errors and faults

The device has been checked for proper functioning several times during production. If malfunctions occur nonetheless, check the device according to the following list.

Fault	Cause	Remedy
The device can no longer be switched on.	The battery is dead.	Insert a new battery (see chapter Operation).
The device seems to indicate much too low measured values.	You forgot to multiply the measurement reading with the displayed factor.	Repeat the measurement. If a factor (8, 9) is displayed, multiply the displayed measured value by the the factor.

Maintenance and repair

Battery change

A battery change is required, when the battery status indication (12) lights up on the display or the device can no longer be switched on. See chapter Operation.

Cleaning

Clean the device with a soft, damp and lint-free cloth. Make sure that no moisture enters the housing. Do not use any sprays, solvents, alcohol-based cleaning agents or abrasive cleaners, but only clean water to moisten the cloth.

Repair

Do not modify the device or install any spare parts. For repairs or device testing, contact the manufacturer.

Disposal



The icon with the crossed-out waste bin on waste electrical or electronic equipment stipulates that this equipment must not be disposed of with the household waste at the end of its life. You will find collection points for free return of waste electrical and electronic equipment in your vicinity. The addresses can be obtained from your municipality or local administration. You can also find out about other return options that apply for many EU countries on the website <https://hub.trotec.com/?id=45090>. Otherwise, please contact an official recycling centre for electronic and electrical equipment authorised for your country.

The separate collection of waste electrical and electronic equipment aims to enable the re-use, recycling and other forms of recovery of waste equipment as well as to prevent negative effects for the environment and human health caused by the disposal of hazardous substances potentially contained in the equipment.



In the European Union, batteries and accumulators must not be treated as domestic waste, but must be disposed of professionally in accordance with Directive 2006/66/EC of the European Parliament and of the Council of 6 September 2006 on batteries and accumulators. Please dispose of batteries and accumulators according to the relevant legal requirements.

Trotec GmbH

Grebener Str. 7
D-52525 Heinsberg

☎ +49 2452 962-400

☎ +49 2452 962-200

✉ info@trotec.com

www.trotec.com